

ADJUSTMENT GUIDE Floor rolling folding door system

centor.com

centor®

Centor folding door hardware system allows door panels to be adjusted vertically and laterally. Over time the panels settle and the building moves so it may be necessary to adjust the hinges for optimum operation.

Vertical Adjustment

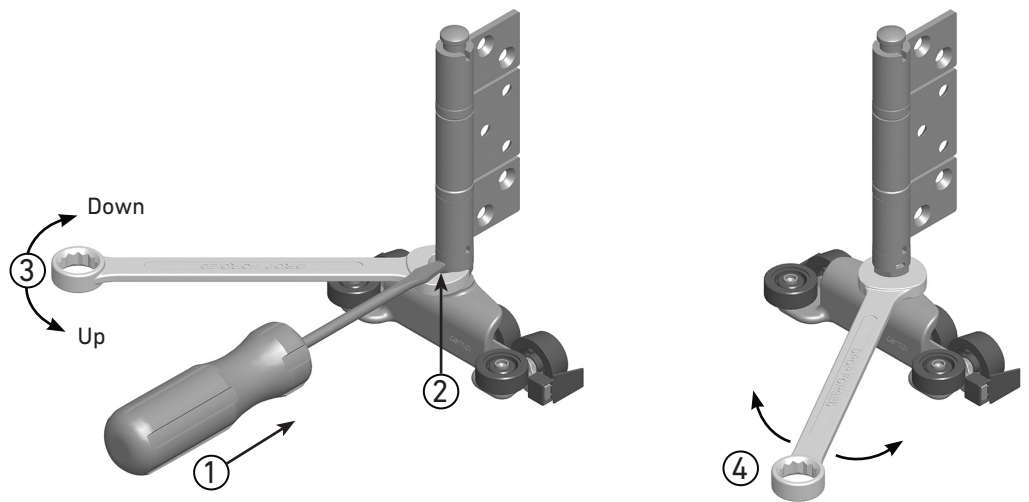
Note: For ease of adjustment, place newspapers on the sill, close the door and use a lever to lift the weight off the hinge. After adjustment open the door and remove the newspaper. Check and repeat if necessary.

1. Insert a small 3mm flat blade screw driver into the bottom of the slot and below the lock tab.

2. Lift the lock tab to allow the adjuster to rotate.

3. While the lock tab is lifted fit a 14mm open ended spanner to the adjuster and rotate. The adjuster will rotate one full turn before the lock will automatically re-engage. Rotate the spanner from left to right to raise (or right to left to lower) the door. One full turn is 1.25mm up (or down).

4. Rotate slowly until the lock tab re-engages when done.



Lateral Adjustment

Note: For ease of adjustment, open the door about 70% for better access to the adjustment screws. Adjustment is provided on both the top and bottom pivot.

Use a long shaft (PH2) phillips head screw driver. Turning the screw clockwise moves the door further from the jamb (or anti-clockwise to move the panel closer to the jamb).

