

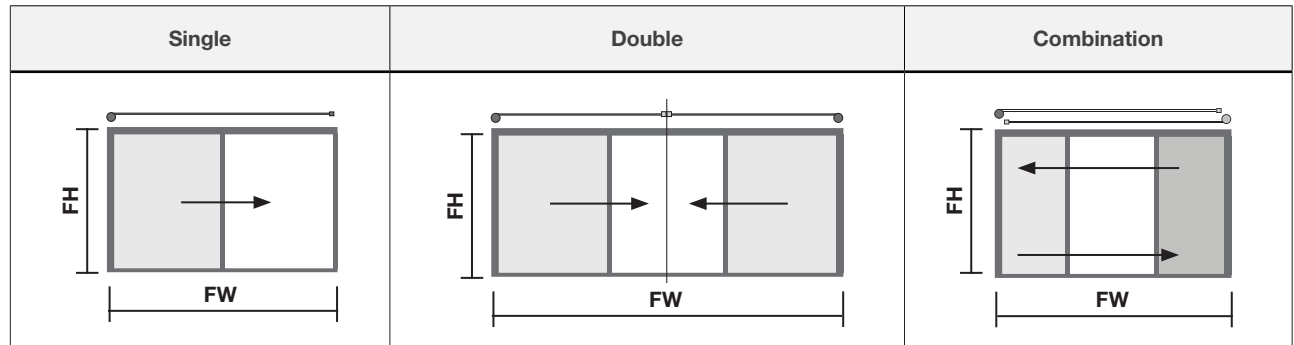
S4

Metric

FRAME SIZE LIMITS

Single | Double | Combination

centor®



| Fabric Type | Frame Height (mm) (FH) | Frame Width (mm) (FW) | | |
|--------------------------|------------------------|-----------------------|-------------|-------------|
| | | Single | Double | Combination |
| Standard weave | 815 - 4000 | 1015 - 4611 | 1015 - 9013 | 1015 - 4676 |
| Tight weave | 815 - 4000 | 1015 - 4197 | 1015 - 8185 | 1015 - 4262 |
| Boston, Blockout | 815 - 2900 | 1015 - 2532 | 1015 - 4855 | 1015 - 2597 |
| Boston, Light-filtering | 815 - 2900 | 1015 - 4197 | 1015 - 8185 | 1015 - 4262 |
| Tuscany, Blockout | 815 - 2900 | 1015 - 2740 | 1015 - 5271 | 1015 - 2805 |
| Tuscany, Light-filtering | 815 - 2900 | 1015 - 4197 | 1015 - 8185 | 1015 - 4262 |
| Mercury, Blockout | 815 - 2900 | 1015 - 3161 | 1015 - 6113 | 1015 - 3226 |
| Mercury, Light-filtering | 815 - 2900 | 1015 - 4197 | 1015 - 8185 | 1015 - 4262 |
| Sun-filter | 815 - 3200 | 1015 - 4543 | 1015 - 8877 | 1015 - 4608 |

Fabric widths are determined by fabric thickness. Due to variations in thickness, the maximum width may not always be achievable. In such cases, we will offer an alternative colour and fabric type. All screens over 5910mm will require frame joiners at the head and sill. The dimensions are a guide only and may change depending on the options selected. Confirmation should always be sought from a Centor Screen dealer with access to the Centor Production System (CPS).

S4

Metric

FRAME SIZE LIMITS

Jambless | XO or OX

centor®

| | Configuration | Fabric Type | Frame Height (mm) (FH) | Frame Width (mm) (FW) | Screen Stop Position (SSP) |
|-----------------------|---------------|----------------|------------------------|-----------------------|----------------------------|
| Jambless (Full width) | | Standard weave | 815 - 4000 | 913 - 4528 | N/A |
| | | Tight weave | 815 - 4000 | 913 - 4108 | |
| | | Sun-filter | 815 - 3200 | 913 - 4452 | |
| Jambless (Custom) | | Standard weave | 815 - 4000 | 913 - 10209 | 300 - 4409 |
| | | Tight weave | 815 - 4000 | 913 - 9795 | 300 - 3989 |
| | | Sun-filter | 815 - 3200 | 913 - 10141 | 300 - 4333 |
| XO or OX | | Standard weave | 815 - 4000 | 1015 - 10311 | 300 - 4409 |
| | | Tight weave | 815 - 4000 | 1015 - 9897 | 300 - 3989 |
| | | Sun-filter | 815 - 3200 | 913 - 10243 | 300 - 4333 |

Fabric widths are determined by fabric thickness. Due to variations in thickness, the maximum width may not always be achievable. In such cases, we will offer an alternative colour and fabric type. All screens over 5910mm will require frame joiners at the head and sill. The dimensions are a guide only and may change depending on the options selected. Confirmation should always be sought from a Centor Screen dealer with access to the Centor Production System (CPS).

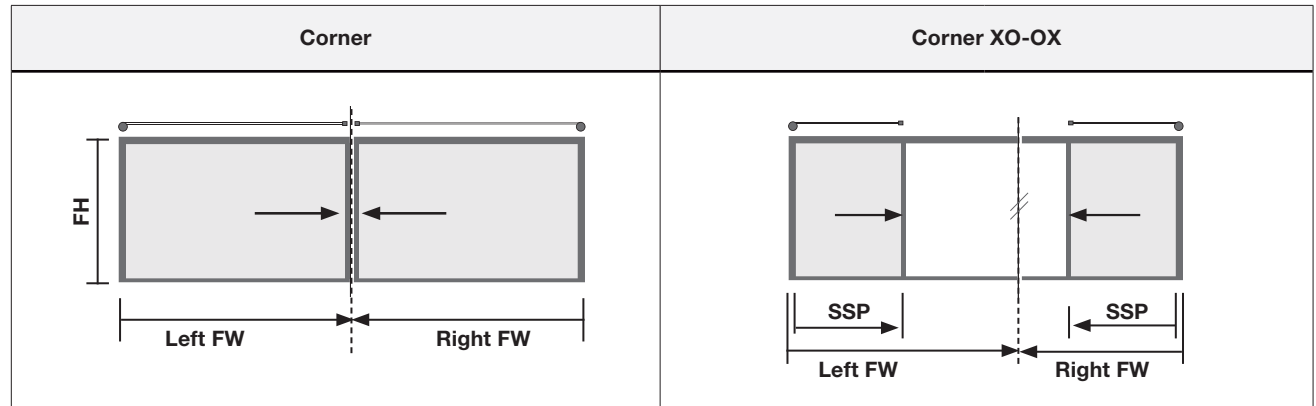
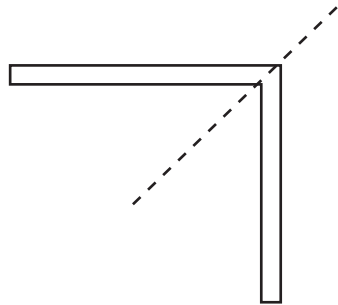
S4

Metric

FRAME SIZE LIMITS

Corner | Corner XO-OX

centor®



| Fabric Type | Frame Height (mm) (FH) | Frame Width (mm) (FW) | | Screen Stop Position (SSP) |
|--------------------------|------------------------|-----------------------|--------------|----------------------------|
| Standard weave | 815 - 3200 | 910 - 4591 | 1061 - 9794 | 300 - 4409 |
| Tight weave | 815 - 3200 | 910 - 4177 | 1061 - 9794 | 300 - 3989 |
| Boston, Blockout | 815 - 2900 | 910 - 2512 | ~ | ~ |
| Boston, Light-filtering | 815 - 2900 | 910 - 4177 | ~ | ~ |
| Tuscany, Blockout | 815 - 2900 | 910 - 2720 | ~ | ~ |
| Tuscany, Light-filtering | 815 - 2900 | 910 - 4177 | ~ | ~ |
| Mercury, Blockout | 815 - 2900 | 910 - 3141 | ~ | ~ |
| Mercury, Light-filtering | 815 - 2900 | 910 - 4177 | ~ | ~ |
| Sun-filter | 815 - 3200 | 910 - 4523 | 1061 - 10146 | 300 - 4333 |

Fabric widths are determined by fabric thickness. Due to variations in thickness, the maximum width may not always be achievable. In such cases, we will offer an alternative colour and fabric type. All screens over 5910mm will require frame joiners at the head and sill. The dimensions are a guide only and may change depending on the options selected. Confirmation should always be sought from a Centor Screen dealer with access to the Centor Production System (CPS).