



Setting the standard in
architectural hardware

Centor Folding Systems

Something truly special

As a third-generation family business, Centor® has spent the last 68-years designing and manufacturing architectural hardware for folding and sliding doors, systems for screens and shades, and most recently, the multi award-winning Integrated Doors. Since inventing the modern weather-sealed folding door in 1998, we have been helping people to expand and improve their living spaces and connect to their beautiful world outside.



Frank Spork, Centor Founder



Finest engineering

German-born engineer Frank founded Centor to produce the finest quality door track



Three generations

Established by Frank, then guided by Erwin, Centor is now led by 3rd generation engineer Nigel Spork



Award-winning

Centor has received national and international recognition for its systems



Global company

From beginnings in Australia Centor has expanded into the UK, Europe, US and China

Centor Folding Systems

The hardware system that moves your doors is as important as the panels themselves.

Centor invented the first folding hardware system to meet weather-sealing standards – allowing folding doors to be used externally for the first time without compromising interiors. Patented in 1998, all Centor folding systems are based on this technology. Doors using the heavy-duty E4 system have since been certified to the world's most rigorous testing regime – the Miami-Dade County hurricane standards.

Engineered in architectural-grade stainless steel, Centor hardware glides with fingertip operation. Simple to assemble, our patented vertical and lateral adjustment helps installers overcome challenges during construction and compensate for normal building movement over the life of the doors.



Reliable

With Centor's engineering excellence hardware will work for years to come



Fingertip operation

Precision engineering and patented adjustment ensure panels glide with ease



Weatherproof

Patented sealing technology protects interiors from extreme weather conditions



Secure

Home and businesses remain safe thanks to fasteners that are hidden and inaccessible





Our range

Select the correct folding hardware for your doors and windows from Centor's range.

	E2	E3	E3 CLD	E4	F3
Max panel weight (kg)	60	115	115	160	80
Max panel width (mm)	1100	1200	1200	1300	1000
Max panel height (mm)	3000	3600	3600	4000	2700
Min panel thickness (mm)	35	35	57	45	35
Max number of panels	8L+8R	8L+8R	8L+8R	8L+8R	8L+8R
Loading	top	top	top	top	bottom



Centor guarantee

Our hardware and tracking products are backed by a 10-year limited warranty.



E2

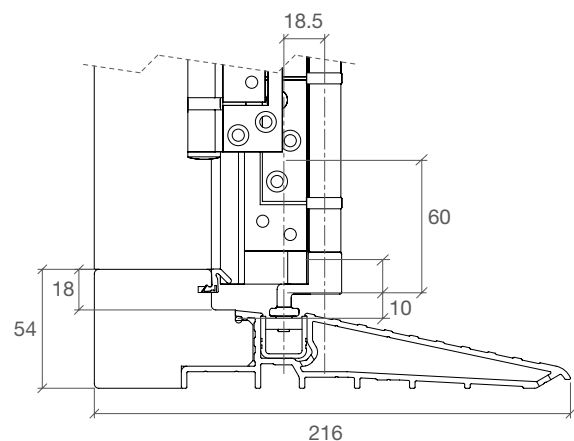
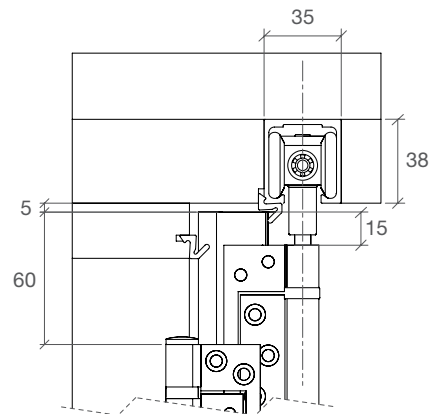
Developed first and constantly upgraded since its inception, E2 is the perfect choice for folding doors or windows in private residences or light commercial applications. Centor E2 hardware is top-hung and accommodates panels up to 1100mm wide by 3000mm high and 60kg.

- Inward or outward opening panels
- Use with wood, aluminium or uPVC doors
- Manufactured in architectural-grade stainless steel, bearings are custom machined while wheels are individually precision ground
- Offset floor guides and floor pivots allow the floor guide channel to be concealed beneath closed doors
- Sills available
- Extensively tested including cycling to the equivalent of opening and closing panels every day for 40 years

Assembly and adjustment

Centor's offset hinge system allows for equal-sized panels regardless of the configuration, while quick-fix surface-mounted fittings ensure assembly is easy.

The patented Surelock 5™ ensures simple, self-locking vertical adjustment with an 8mm Allen key, while independent top and bottom lateral adjustment of +/-5mm is possible using a Phillips screwdriver.



Top-hung hardware



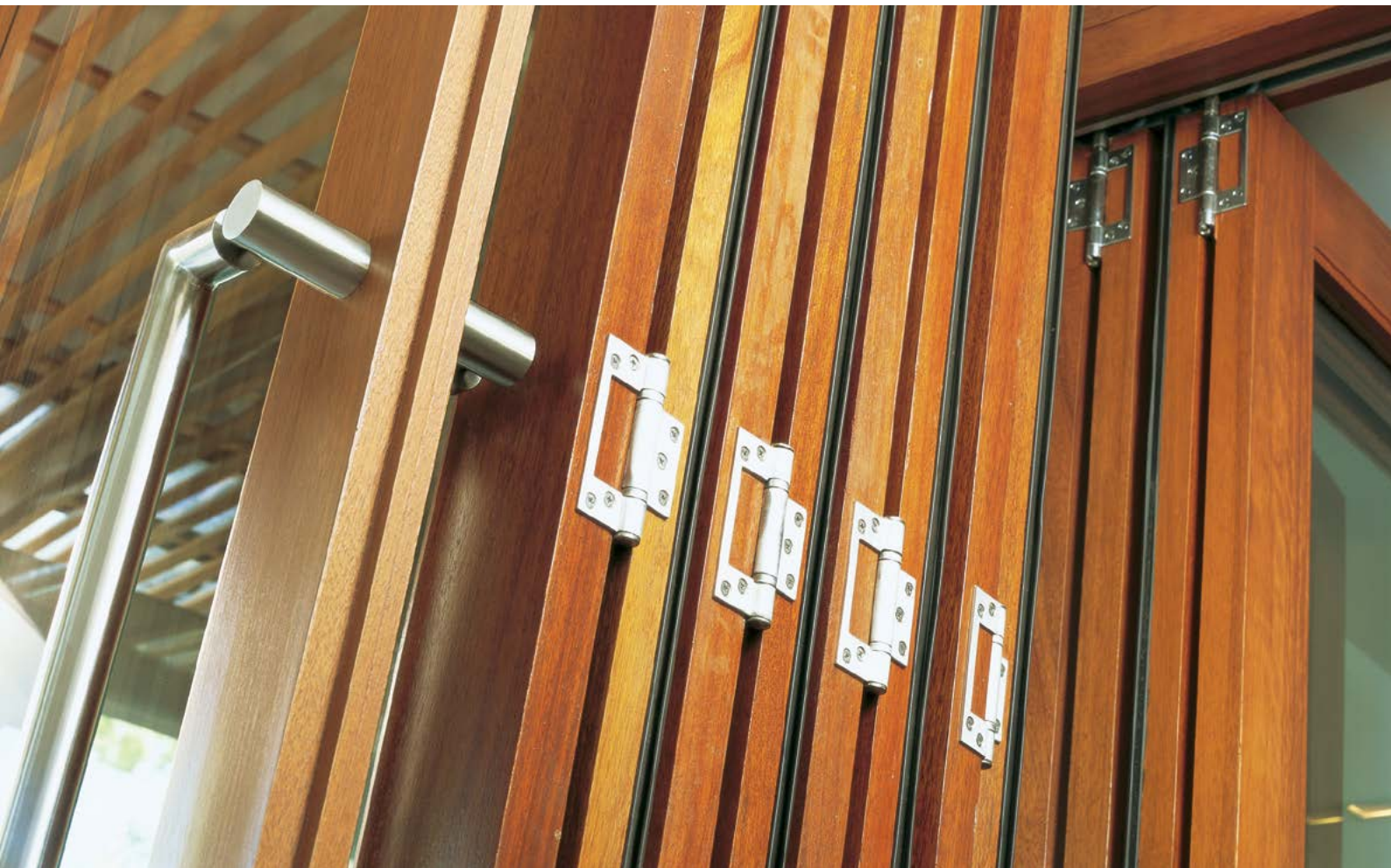
Residential or light-commercial



Secure with Centor Locking



Range of finishes available



E3

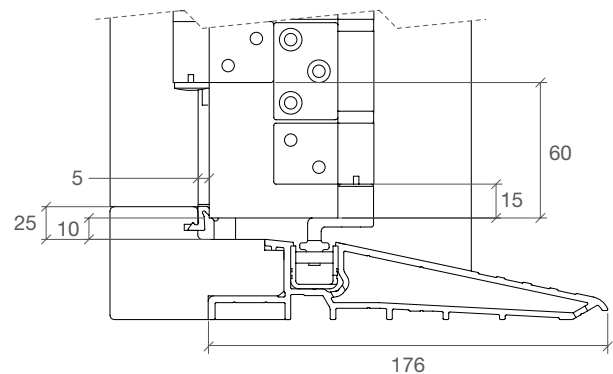
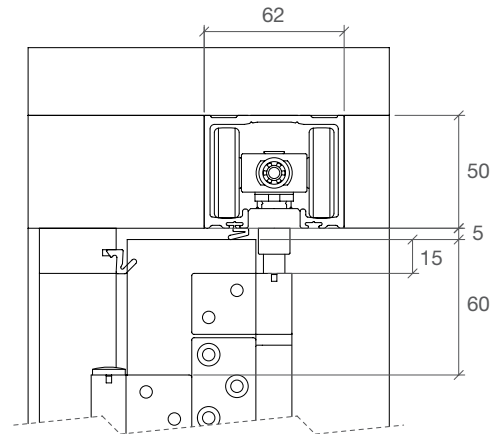
Responding to the demands of architects and homeowners wishing to push the boundaries of folding innovation, Centor E3 hardware is suitable for a range of residential and commercial applications. Providing complete freedom in door design, E3 accommodates top-hung panels up to 1200mm wide by 3600mm high and 115kg, allowing for the extra weight of double and triple glazing, and laminated glass.

- Inward or outward opening panels
- Use with wood, aluminium or uPVC doors
- Suitable for double-glazing or triple-glazing
- Manufactured in architectural-grade stainless steel, bearings are custom machined while wheels are individually precision ground
- Offset floor guides and floor pivots are standard so the floor guide channel is concealed beneath closed doors
- Sills available
- Locking screw technology ensures hardware cannot be removed from the track
- Extensively tested including cycling to the equivalent of opening and closing panels every day for 40 years

Assembly and adjustment

Centor's offset hinge system allows for equal-sized panels regardless of the configuration, while quick-fix surface-mounted fittings ensure assembly is easy.

The patented Surelock 5™ ensures simple, self-locking vertical adjustment with an 8mm Allen key, while independent top and bottom lateral adjustment of +/-5mm is possible using a Phillips screwdriver.



Top-hung
hardware



Residential or
Commercial



Secure with
Centor Locking



Range of finishes
available



E3 CLD

Created to address the unique requirements of aluminium-clad wood door manufacturers and fabricators, E3 CLD brings the extraordinary potential of Centor's surface-mounted folding hardware to this door market.

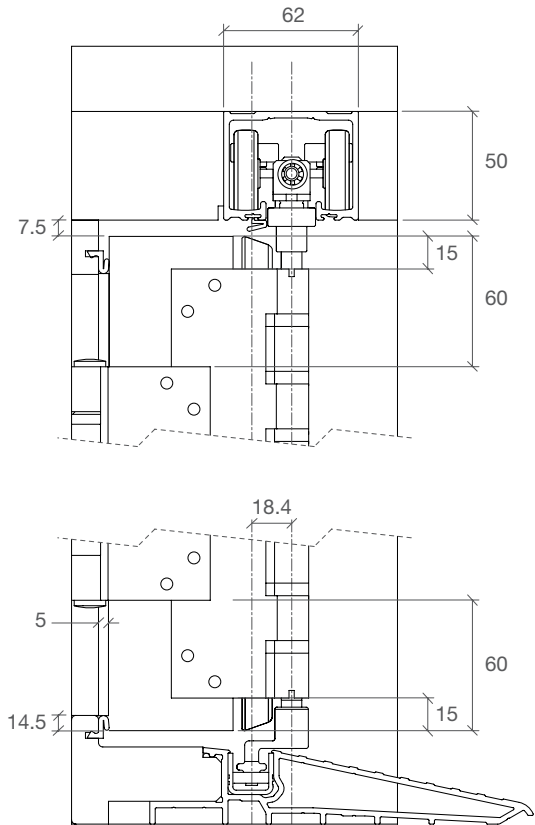
Like E3, E3 CLD hardware is manufactured in architectural-grade stainless steel with custom machined bearings and precision ground wheels.

- Inward or outward opening panels
- Use with composite doors
- Suitable for double-glazing or triple-glazing
- Offset floor guides and floor pivots are standard so the floor guide channel is concealed beneath closed doors
- Sills available
- Locking screw technology ensures hardware cannot be removed from the track
- Extensively tested including cycling to the equivalent of opening and closing panels every day for 40 years

Assembly and adjustment

Centor's offset hinge system allows for equal-sized panels regardless of the configuration, while quick-fix surface-mounted fittings ensure assembly is easy.

The patented Surelock 5™ ensures simple, self-locking vertical adjustment with an 8mm Allen key, while independent top and bottom lateral adjustment of +/-5mm is possible using a Phillips screwdriver.



Top-hung
hardware



Residential or
Commercial



Secure with
Centor Locking



Range of finishes
available



E4

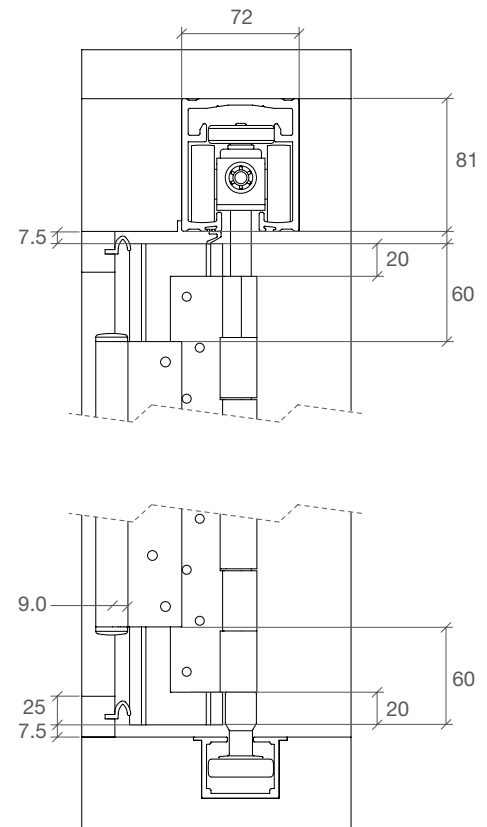
Designed for tall and heavy doors, E4 takes folding innovation into grand scale commercial and residential applications. Panels up to 4000mm high move effortlessly aside with the Centor's signature finger-tip ease. E4 hardware can handle the toughest locations imaginable, with bifold doors utilising E4 certified to the most rigorous testing regime in the world – Miami-Dade County hurricane standards.

- Inward or outward opening panels
- Use with wood or aluminium doors
- Suitable for double- or triple-glazing and laminated glass
- Manufactured in premium stainless steel, bearings are custom machined while wheels are individually precision ground
- Built for strength and security, E4 is designed so externally accessible hardware can not be removed or damaged when doors are closed
- Extensively tested including finite element analysis, cycle testing, corrosion testing and weather testing

Assembly and adjustment

E4's off-set hinge system allows for equal-sized panels regardless of the configuration. Comprehensive instructions are included with drill jigs available to ensure precise placement of mortised fittings.

The Surelock 2™ carrier pin locking system allows height adjustment with a 9.5mm Allen Key that is supplied with all E4 pivot sets.



Top-hung hardware



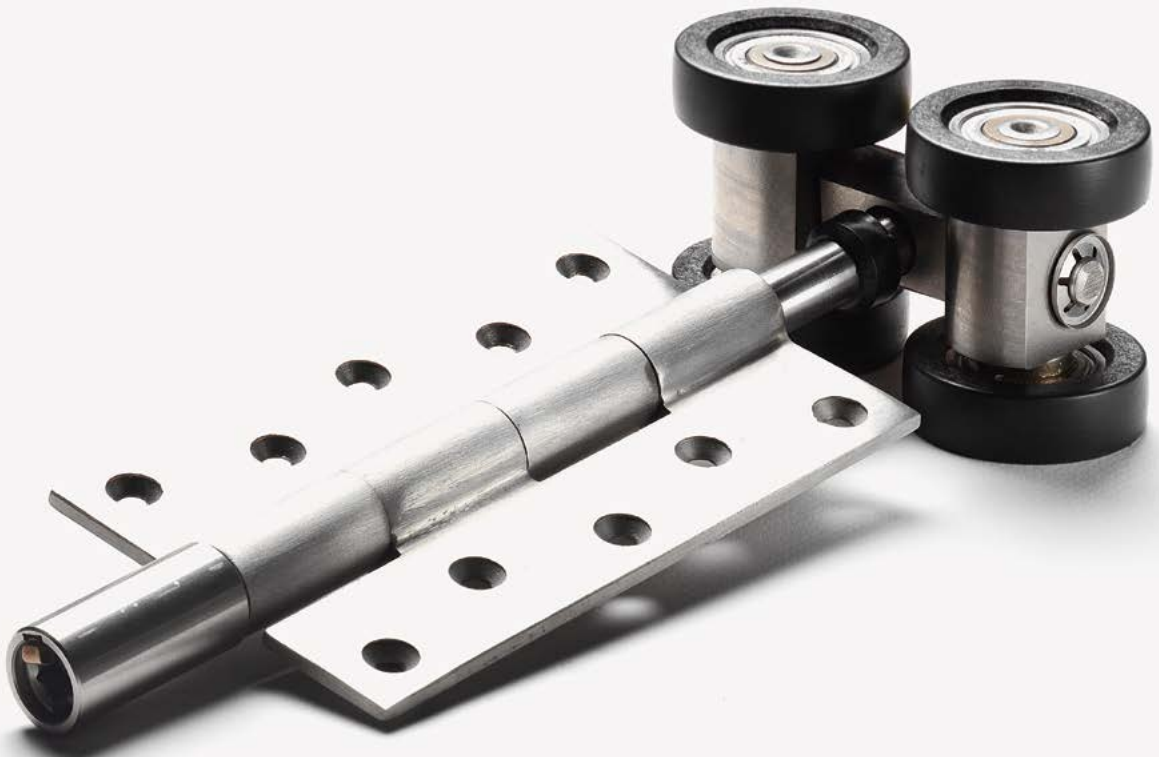
Residential or Commercial



Secure with Centor Locking



Range of finishes available



F3

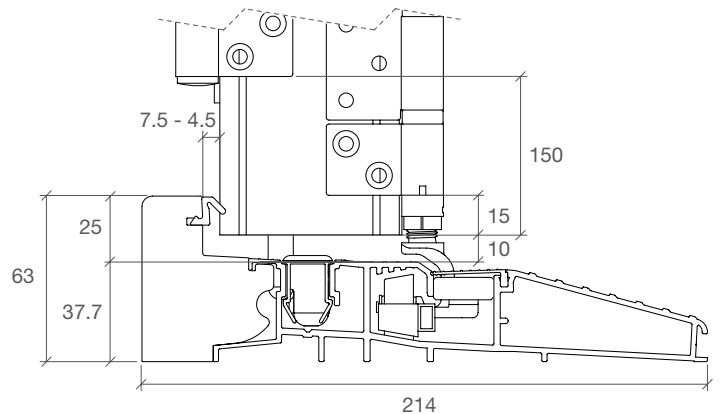
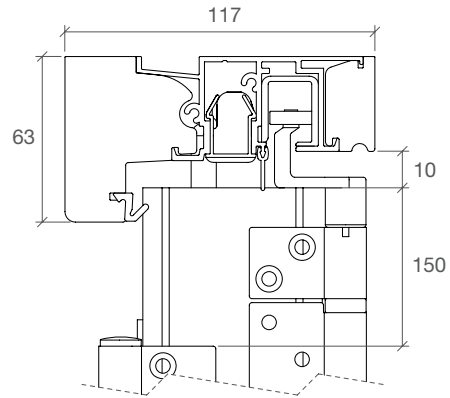
As a bottom-rolling system, Centor F3 allows folding doors to be installed into any existing opening without the need for major structural changes. Perfect for use in residential renovations, F3 accommodates panels 1000mm wide by 2700mm high and 80kg. Articulated carriers compensate for imperfect openings, ensuring smooth operation.

- Articulated carriers ensure smooth operation
- Guards on the carriers push grit away from the mechanism
- The ready-made concealed, angled track is protected with a seal to keep operation smooth
- Offset top guides allow the top channel to be concealed and reduces frame thickness
- Externally accessible hardware can not be compromised
- Extensively tested including cycle and corrosion testing

Assembly and adjustment

F3's offset hinge system permits equal-sized panels regardless of the door configuration, while surface-mounted fittings ensure easy assembly and installation.

The patented Surelock 4™ allows for vertical and lateral adjustment using a screwdriver and 14mm spanner.



Bottom-rolling
hardware



Residential
applications



Secure with
Centor Locking



Range of finishes
available



Centor Locking

Centor's Dropbolts and Twinpoint locks are stylish, secure and simple to use. While designed with the unique requirements of folding doors in mind, they are suitable for many door types, including sliding and French doors, and windows. Dropbolts and Twinpoint Locks are backed by a 10-year warranty.

Dropbolts

Available in a range of finishes, Centor dropbolts have a low profile and are simple to install with a dedicated router bit which is available from Centor.

- Options for inward and outward opening doors
- Minimum throw length of 20mm
- Keyed or non-keyed options
- Bolts are supplied keyed alike – may be re-keyed by a locksmith
- Keyed dropbolts feature a unique damage-proof design which prevents the door being operated while the key is in the lock, stopping accidental damage to panels

Twinpoint Locks

The Twinpoint Lock is a stylish alternative for securing panels with one easy movement.

- Options for inward and outward opening doors
- Variation for timber doors (LT) or aluminium doors (LA)
- For timber doors, a router bit is available from Centor
- Full installation instructions and customisable calculation software ensure locks can be installed easily
- Once installed, the Twinpoint system is completely accessible and serviceable
- Damage-proof design means a door cannot be unbolted without first removing the key
- Made from durable, corrosion-resistant materials
- Mechanisms have been tested to 100,000 cycles



Centor Europe Ltd

Centor Europe Ltd
Unit 6, Elmdon Trading Estate
Bickenhill Lane
Birmingham
B37 7HE
t +44 (0) 121 701 2500
mail.uk@centor.com
www.centor.com

centor®