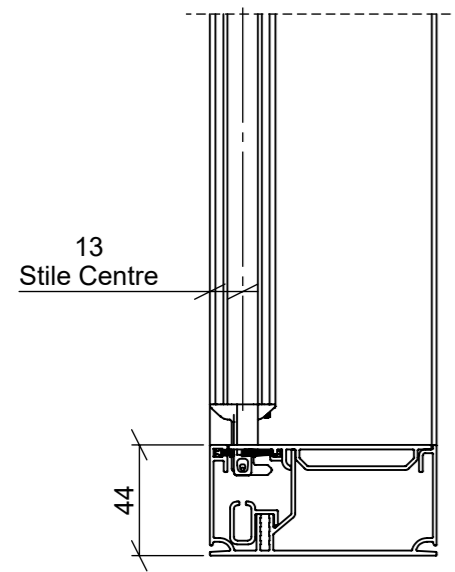
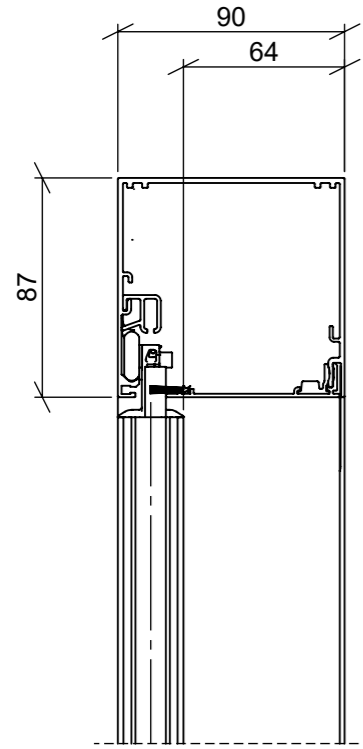
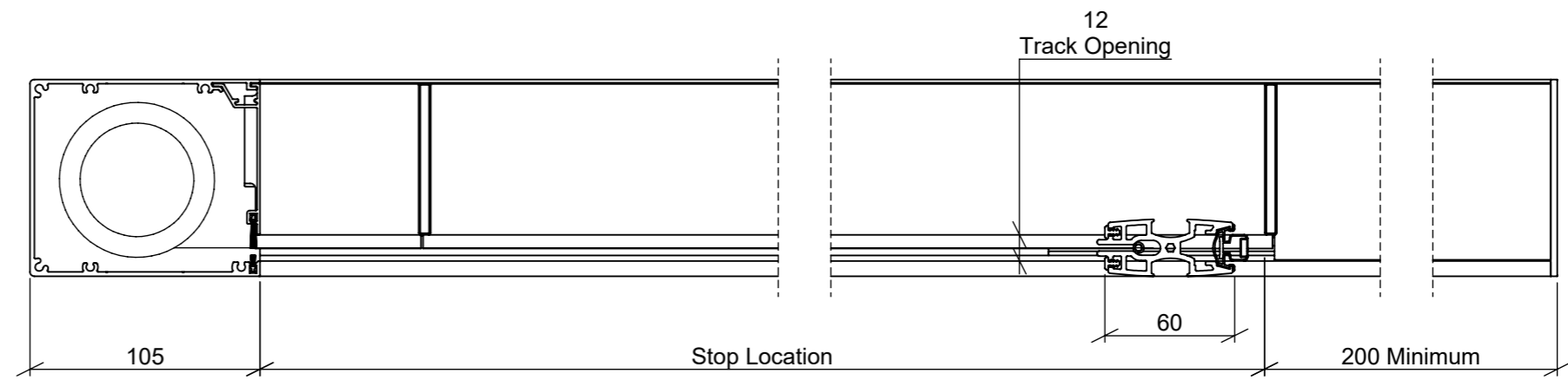
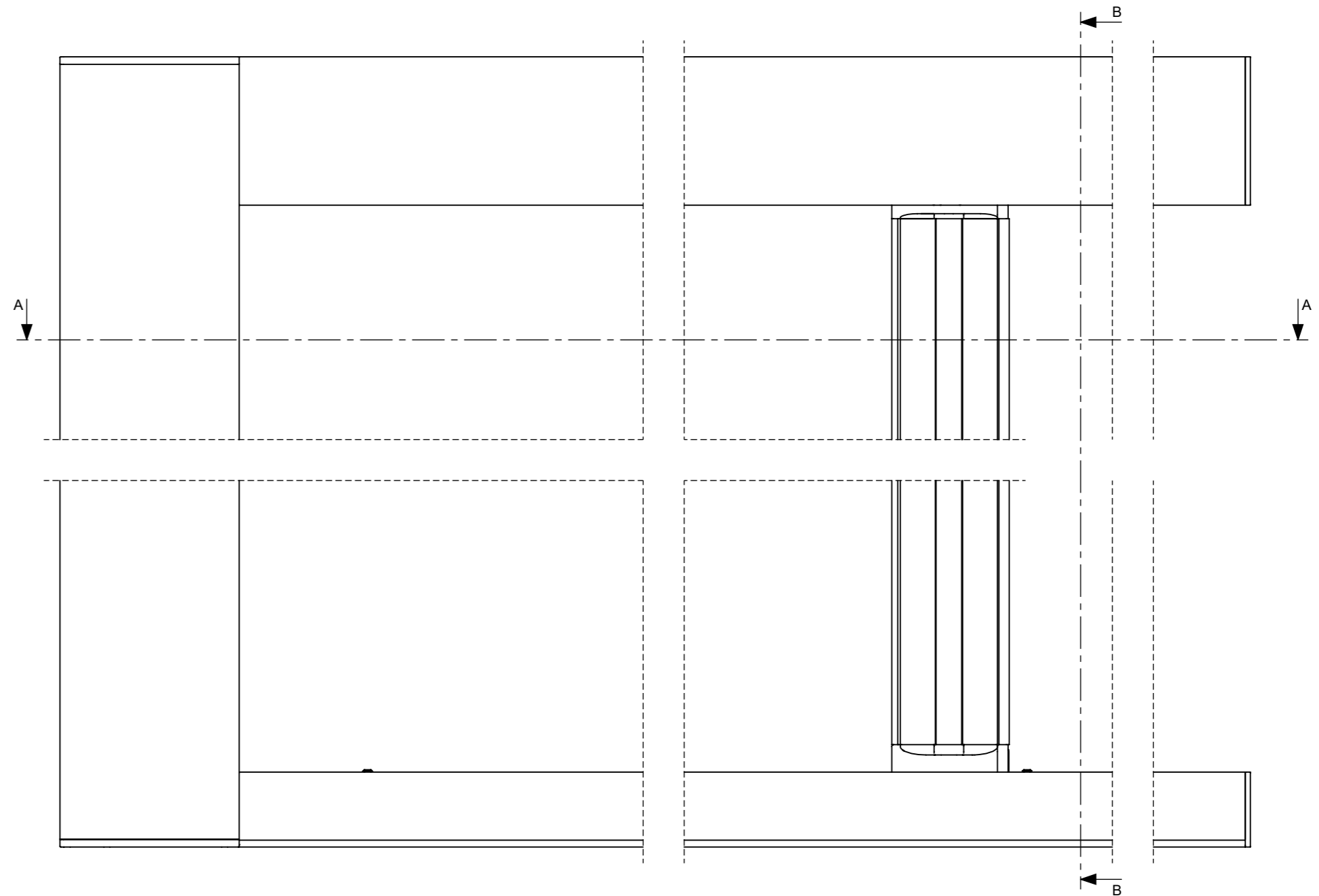


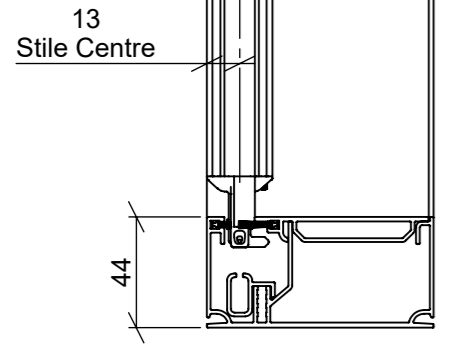
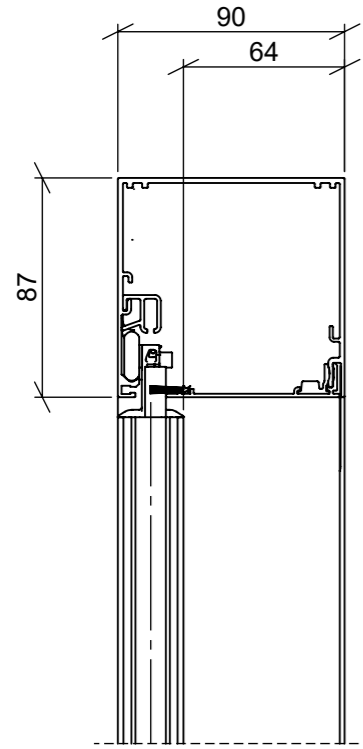
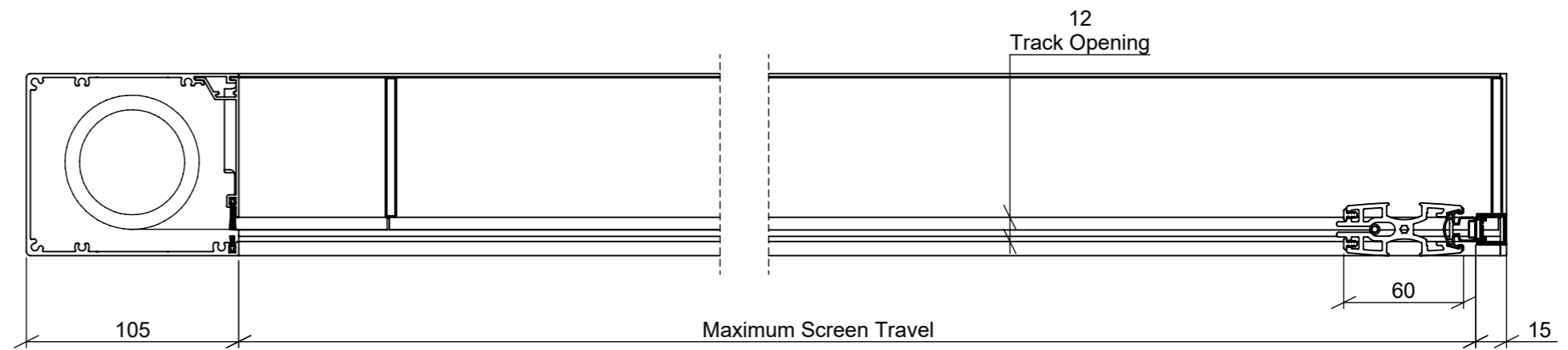
Custom Stop Location



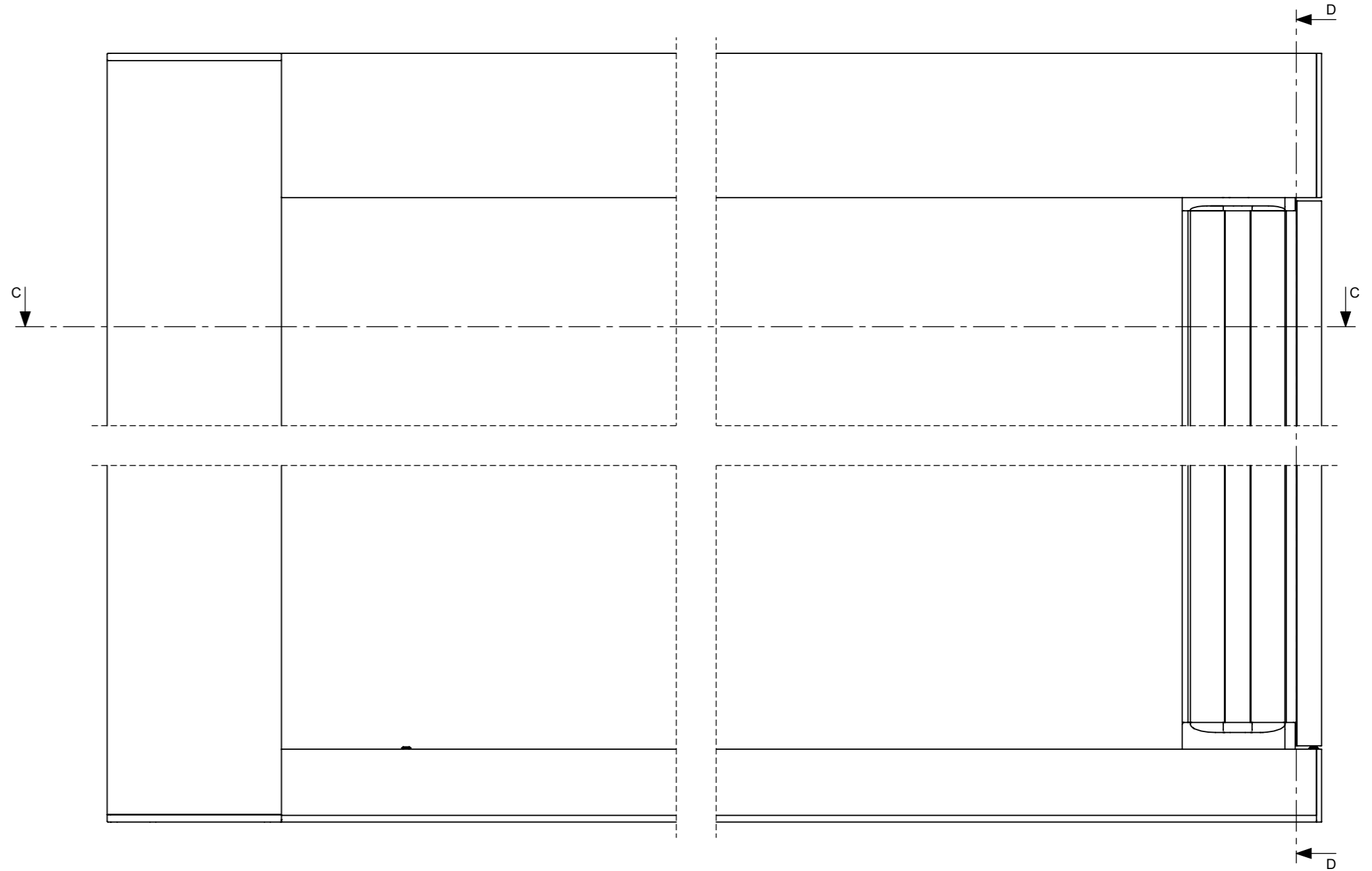
SECTION B-B



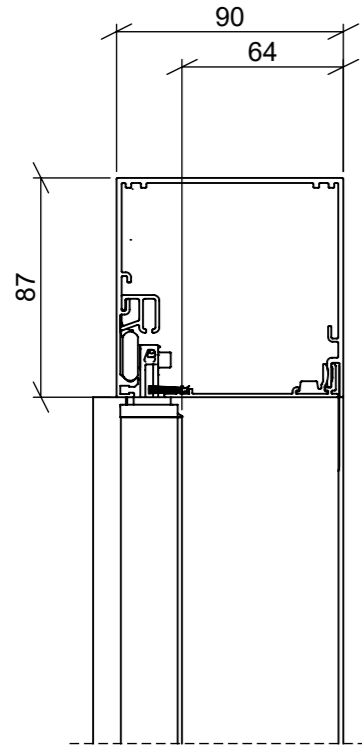
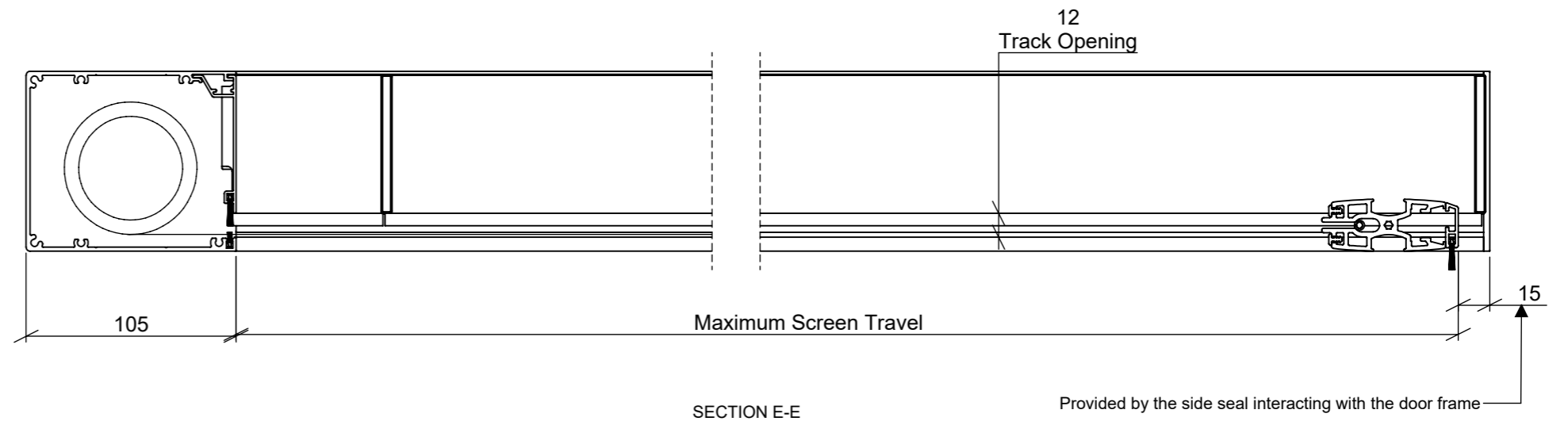
Maximum Screen Travel - Magnet Adaptor



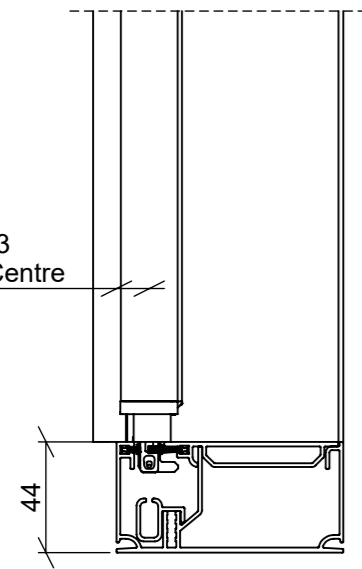
SECTION D-D



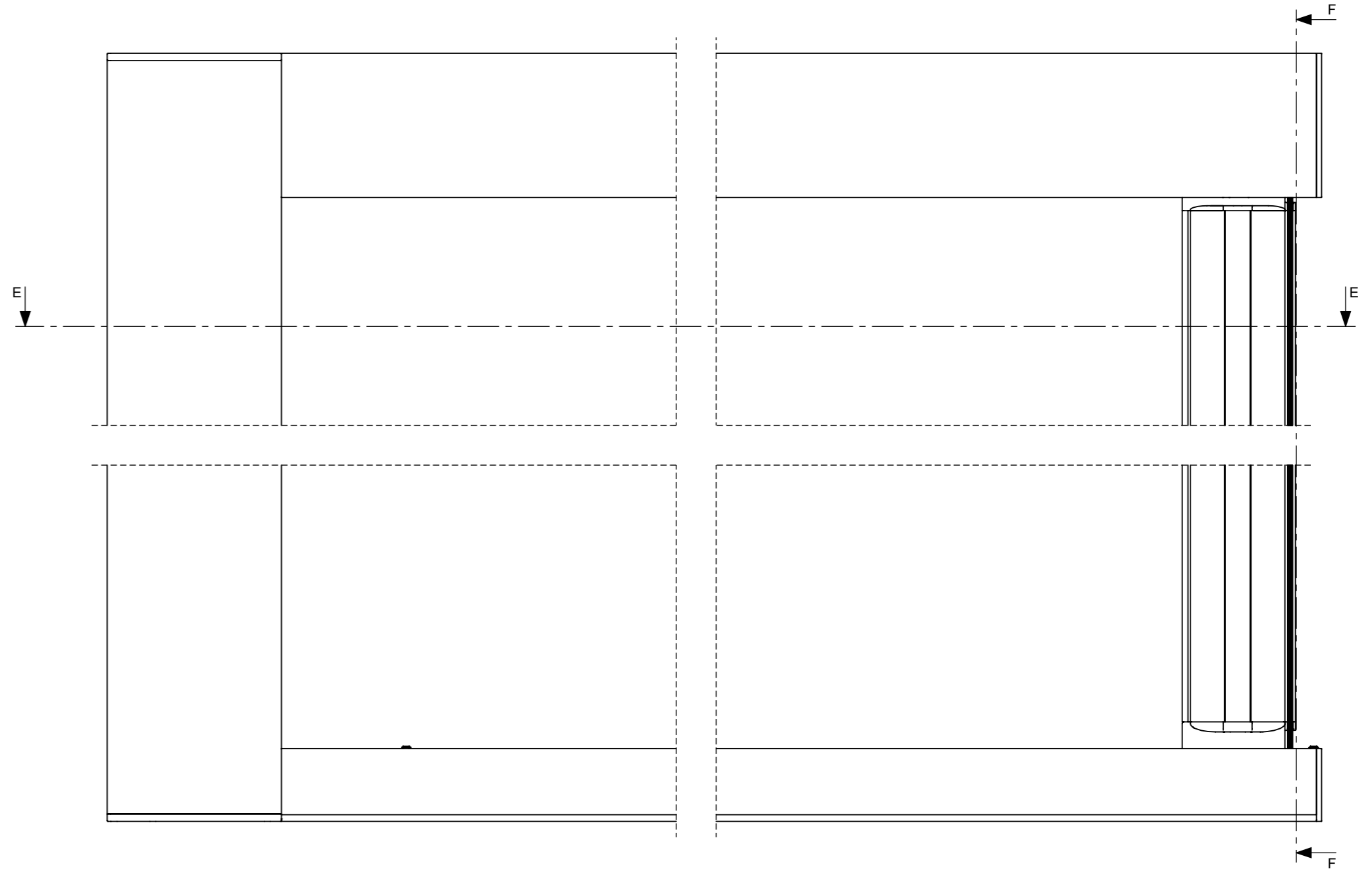
Maximum Screen Travel - Side Seal



13
Stile Centre

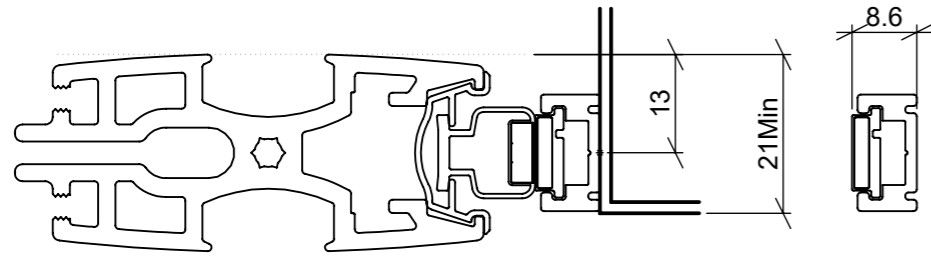


SECTION F-F

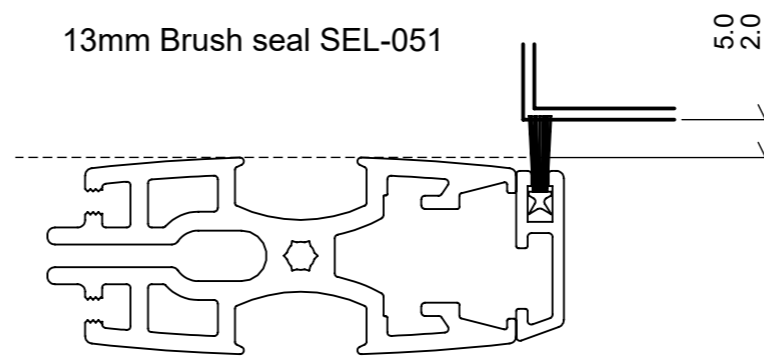


Stile options

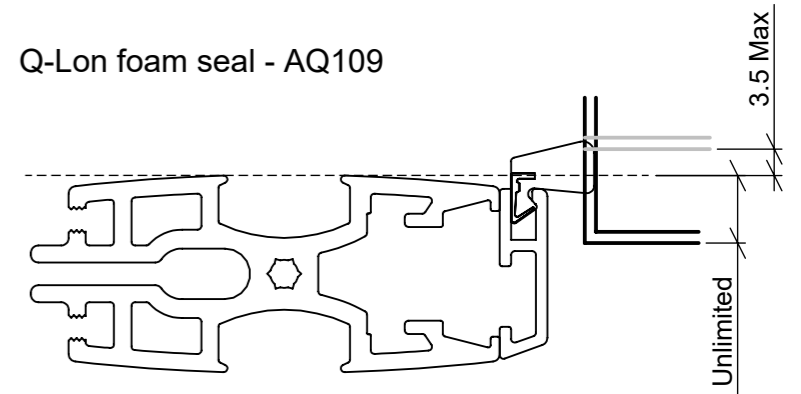
Straight magnet with 8mm adaptor



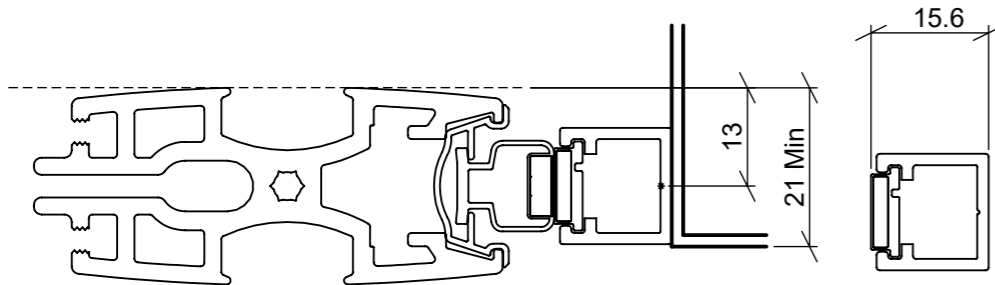
13mm Brush seal SEL-051



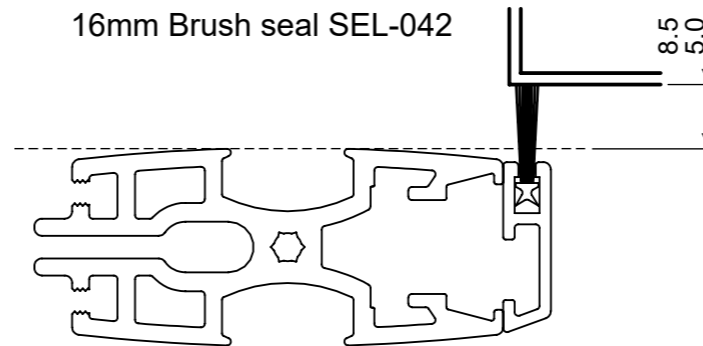
Q-Lon foam seal - AQ109



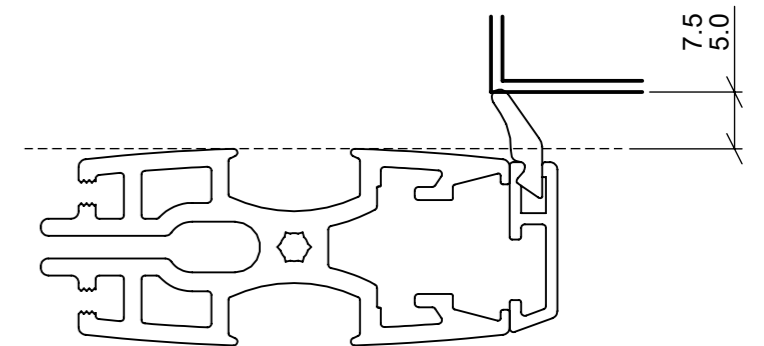
Straight magnet with 15mm adaptor



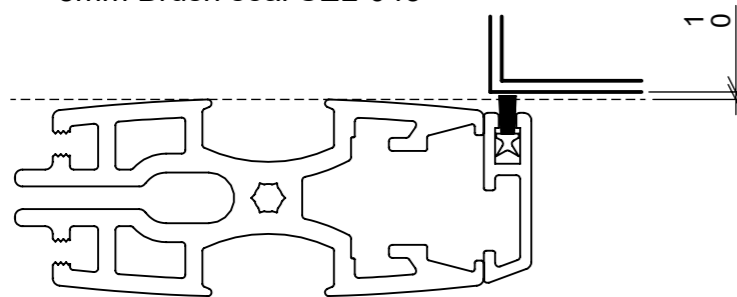
16mm Brush seal SEL-042



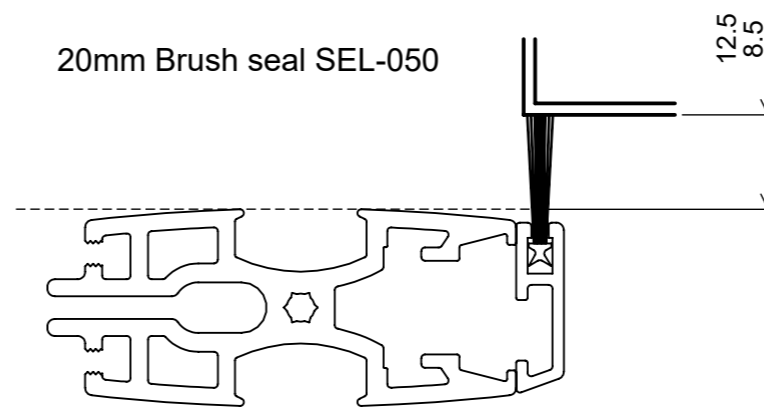
Q-Lon foam seal - QL7066



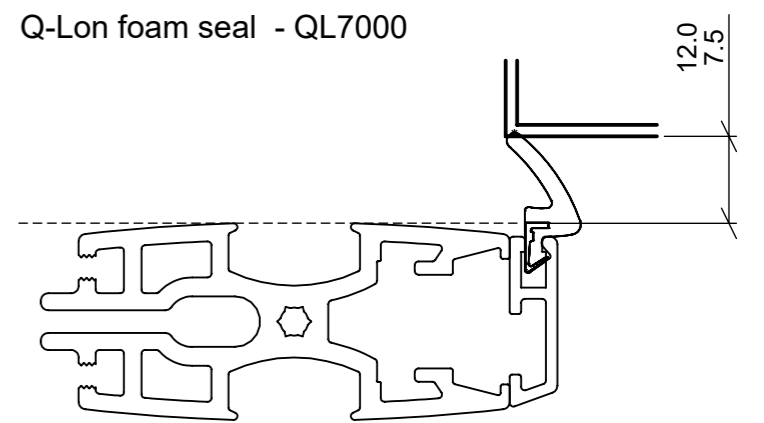
8mm Brush seal SEL-043



20mm Brush seal SEL-050



Q-Lon foam seal - QL7000



Note: Set Screen Stop Point as door edge plus 10mm

Edge of frame: